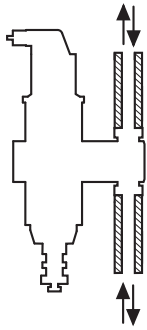

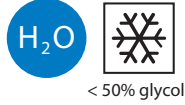
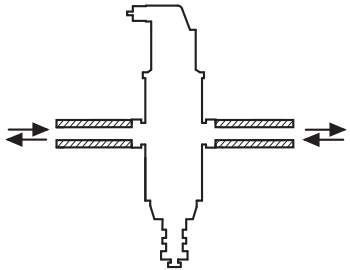



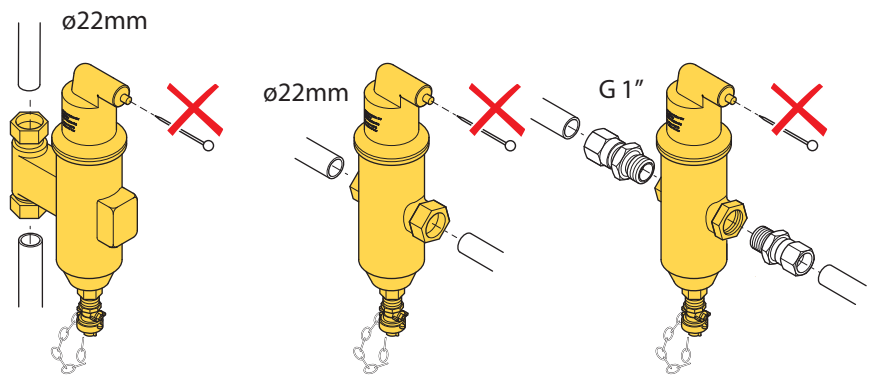
0-...bar

0-...°C

Acc.PED (97/23/EC) §3.3







ø22mm

ø22mm

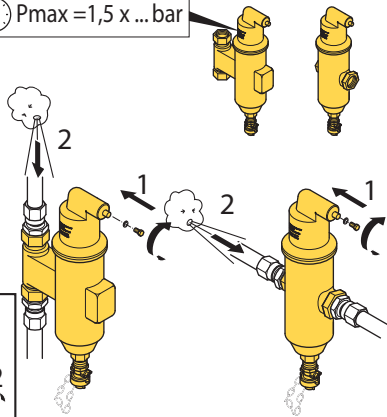
G 1"



0 bar




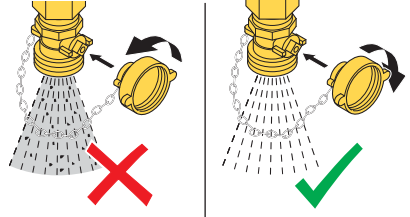
Pmax = 1,5 x ... bar



1

2





X

✓

